

# Mako U

## U-051



- Latest CMOS sensor
- High frame rates
- Ultra-compact
- Extensively tested accessories

## Description

### Mako U-051B with CMOS OnSemi PYTHON 500 sensor

Mako U-051B is a monochrome USB3 Vision camera with the CMOS OnSemi PYTHON 500 sensor. All Mako USB cameras have the same compact housing with a form factor of 49.5 x 29 x 29 mm. Screw locks ensure a safe electrical connection even in harsh industrial environments.

Every model is powered over the USB interface and has opto-isolated I/Os. The GPIOs give Mako U maximum flexibility to adapt to specific needs. The two non-isolated GPIO lines are TTL-based and programmable as input or output.

#### Options

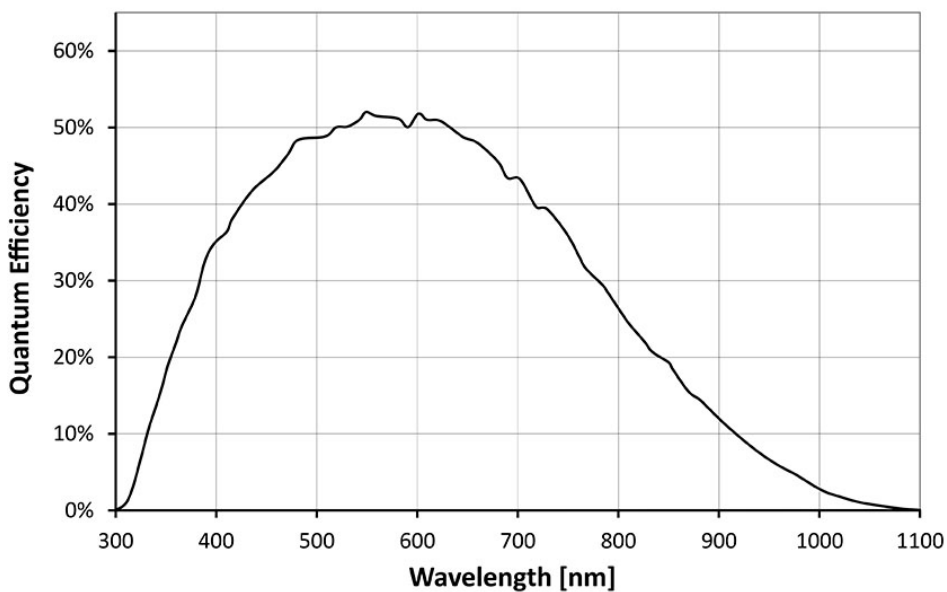
- Various IR cut/pass filters, protection glass, various lens mounts
- White medical housing

## Specifications

Mako U	U-051
Interface	USB3 Vision
Resolution	800 × 600
Sensor	OnSemi PYTHON 500
Sensor type	CMOS Progressive
Cell size	4.8 μm x 4.8 μm
Lens mount	C-Mount, CS-Mount
Max frame rate at full resolution	391 fps
ADC	10 bit
On-board FIFO	128 Mbyte
Non-volatile memory	1024 KByte

#### Output

<b>Mako U</b>	<b>U-051</b>
Bit depth	8/10 bit
Mono modes	Mono8, Mono10p
<b>General purpose inputs/outputs (GPIOs)</b>	
TTL I/Os	2 programmable GPIOs
Opto-isolated I/Os	1 input, 1 output
<b>Operating conditions/dimensions</b>	
Operating temperature	+5° C to +45° C (housing temperature)
Power requirements (DC)	Power over USB 3.0
Power consumption (@12 V)	n/a, 2.7 W @ 5 VDC
Mass	60 g
Body dimensions (L × W × H in mm)	49.5 × 29 × 29 mm, incl. connectors, without tripod and lens
Regulations	CE, FCC Class B, RoHS (2011/65/EU)

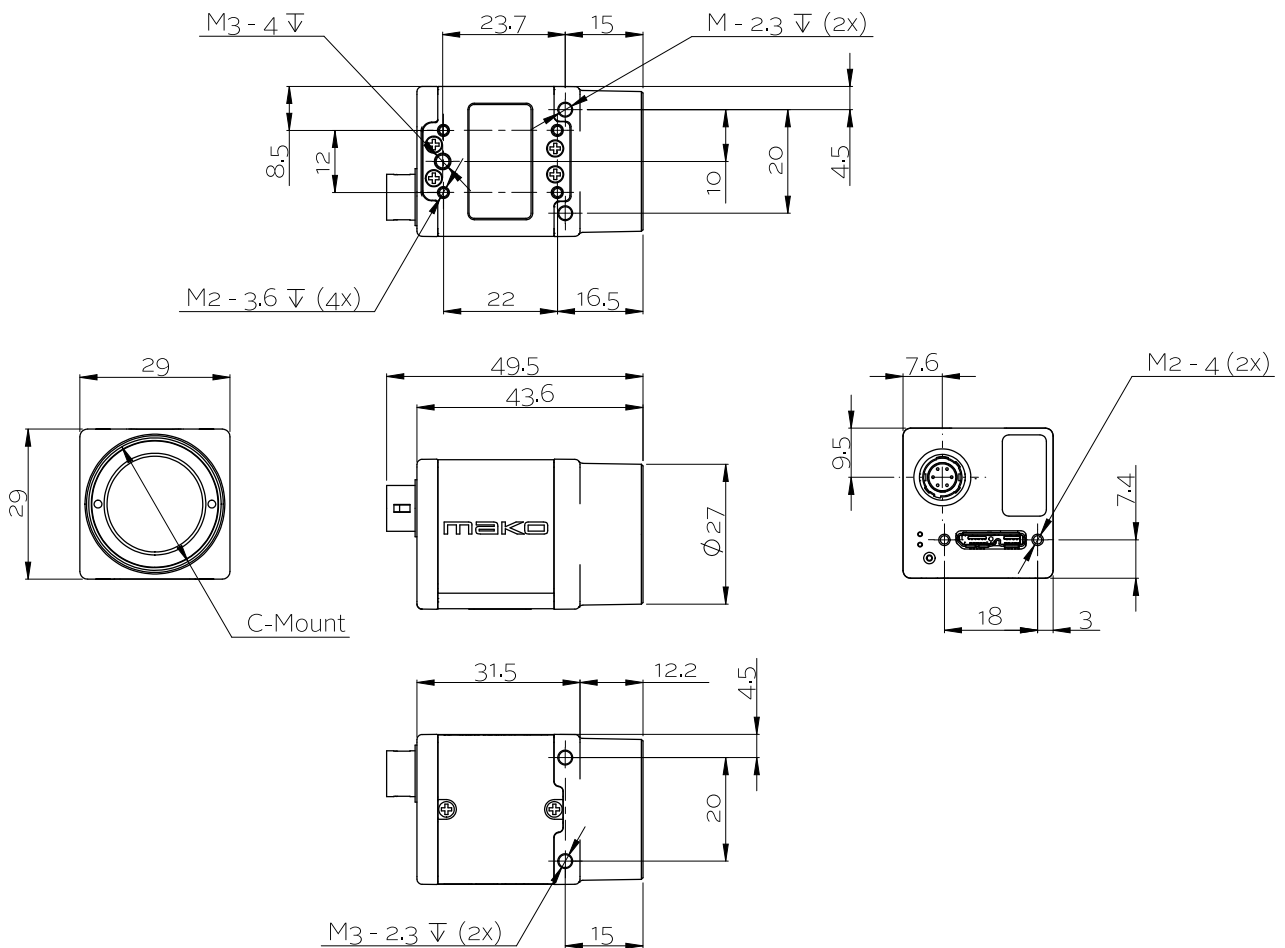


## Features

- Defect pixel correction (on/off)
- Fixed pattern noise correction (on/off)
- ROI
- Gain (manual control, 0 to 20 dB)
- Exposure (manual control, 44.2 μs to 1.4 s)
- Gamma
- Reverse X

- DeviceLinkThroughputLimit (easy bandwidth control)
- Sync out modes: Waiting for a trigger, exposing, readout, imaging
- Storable user sets

## Technical drawing





## Applications

The Mako U is an inexpensive USB 3.0 camera with a compact housing. USB 3.0 technology has lower latency and jitter times with less CPU load than other camera interfaces.

Typical applications for Mako U cameras:

- Machine vision
- Quality control
- Inspection, surveillance
- Industrial imaging